

# PIONEER

**100%ELECTRIC**

**ZERO EMISSIONS**



**PIONEER - A ROBUST 4WD  
WORKHORSE BUILT TO THE  
MOST RIGOROUS PRODUCTION  
STANDARDS OFFERING  
FLEXIBILITY, STAMINA  
& RELIABILITY.**

**EXTENDED RANGE (INDICATIVE)  
MORE TORQUE  
IMPROVED OFF-ROAD CAPABILITY  
FASTER CHARGING  
IMPROVED BATTERY LONGEVITY**



- UP TO 40KM (DEPENDENT ON TERRAIN)
- REGENERATIVE BRAKING
- ELECTRIC SWITCHABLE 2WD/ 4WD
- DIFF LOCK
- EASY GEAR

- ELECTRIC POWER STEERING AS STANDARD
- ALLOY WHEELS
- FRONT WINCH OPTION
- HAND GUARDS
- TOW HITCH

- COLOUR OPTION - BLACK/GREEN/WHITE
- BESPOKE COLOUR OPTIONS POSSIBLE\*

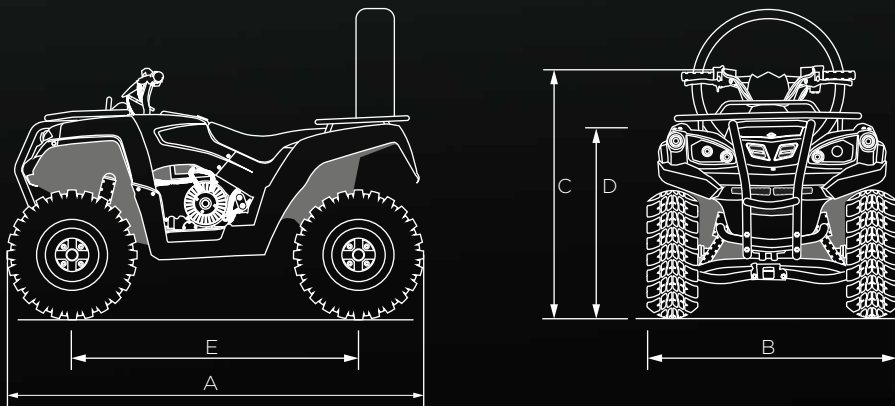
\*These options may incur extra cost

**LEADING THE CHARGE**

# PIONEER



## DIMENSIONS & WEIGHT



A 2150mm  
B 1280mm  
C 1250mm  
D 890mm  
E 1320mm

Unladen Weight - 349KG  
Laden Weight - 520KG

## MOTOR

- 15 kW max. Permanent magnet DC motor
- 4 Quadrant with micro-processor control
- Sealed AGM 72 volt, 100Ah (7.2kWh)
- Regenerative Braking

## TRANSMISSION

- Automatic drive with high and low shift equipped with switchable forward and reverse


## BRAKES

- Hydraulic Front: R/L Disc brake
- Rear: Disc brake

## SUSPENSION

- Front & Rear: Dual A-arm with 5 way preload adjustable shocks

 EcoCharger Ltd  
70/73 Gazelle Road  
Weston Industrial Estate  
Weston-super-Mare  
BS24 9ES

 0844 5883048

 [ecochargerquads.com](http://ecochargerquads.com)

 [hello@ecochargerquads.com](mailto:hello@ecochargerquads.com)

    
/ecochargerquad